



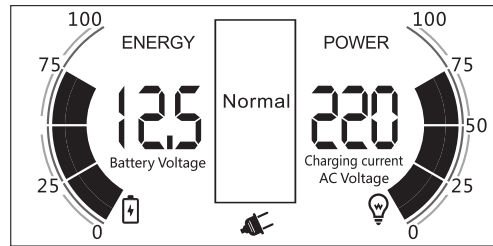
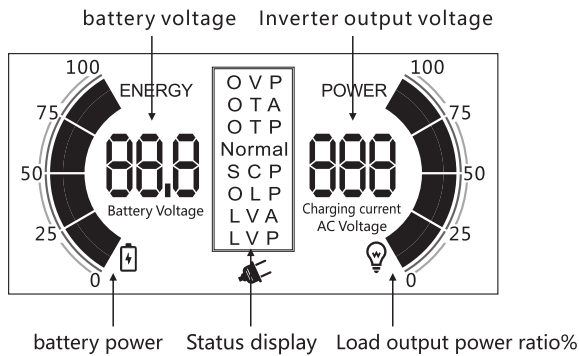
Remote control panel



Communication line

The display panel can be operated remotely via a 6pin telephone line with a short distance of up to 7 meters.

Wired remote control panel with LCD display

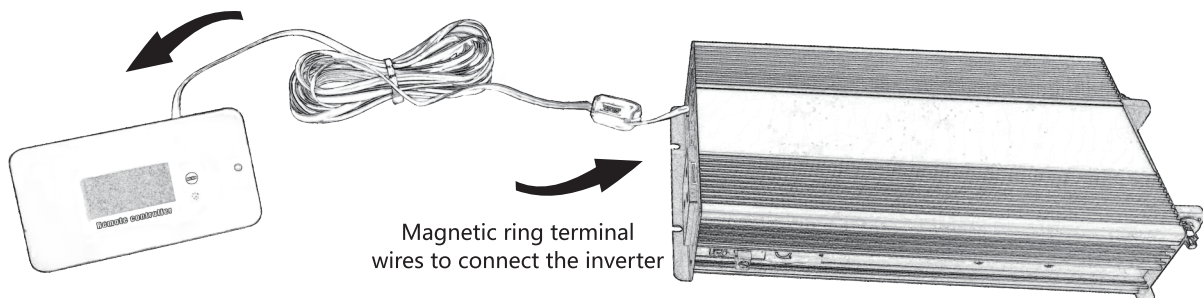


- "ENERGY" means battery capacity percentage
- "POWER" means converting output power percentage
- "OVP" means over voltage protection
- "OTP" means over temperature protection
- "Normal" means inverter normal working

- "SCP" means short circuit protection
- "OLP" means over load protection
- "LVA" means low voltage alarm
- "LVP" means low voltage protection

Wiring diagram

Communication line diagram



Magnetic ring terminal wires to connect the inverter

Contact us